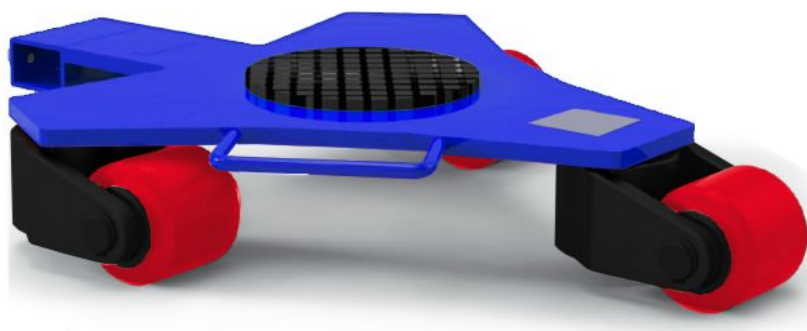


MACHINERY MOVING SKATES OPERATING INSTRUCTIONS



Thank you for choosing our skates. For your safety and for correct operation, please carefully read the manual before use of the skates.

Note:-

All of the information reported herein is based on data available at the time of printing. We reserve the right to modify the products at any time without notice.

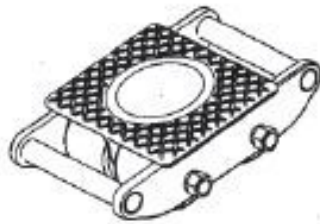
Please verify with us for possible updates.

GENERAL

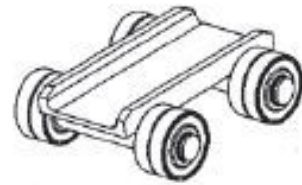
Hi-tech skates have load bearing centres and are capable of moving large capacities. In saving time and strain, they are the ideal tool for carrying and shifting equipment, from small to heavy loads. Detailed below are various options available.



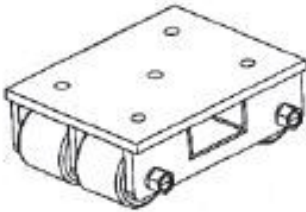
CRA-TYPE



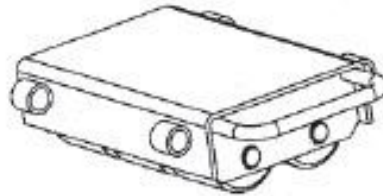
CRO-TYPE



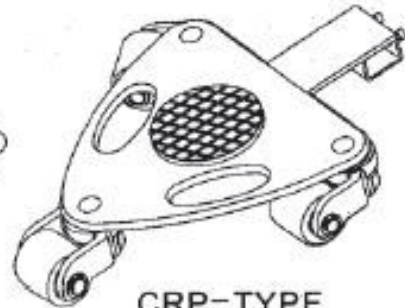
CTG-TYPE



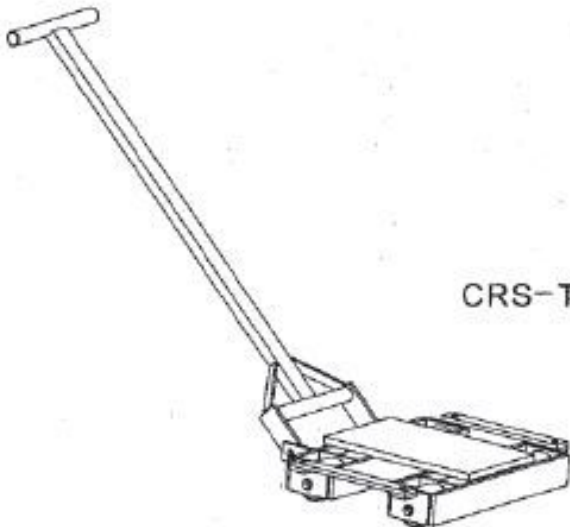
CRM-TYPE



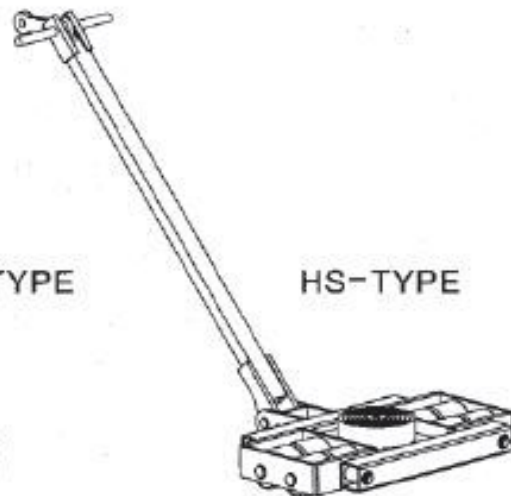
CRE-TYPE



CRP-TYPE

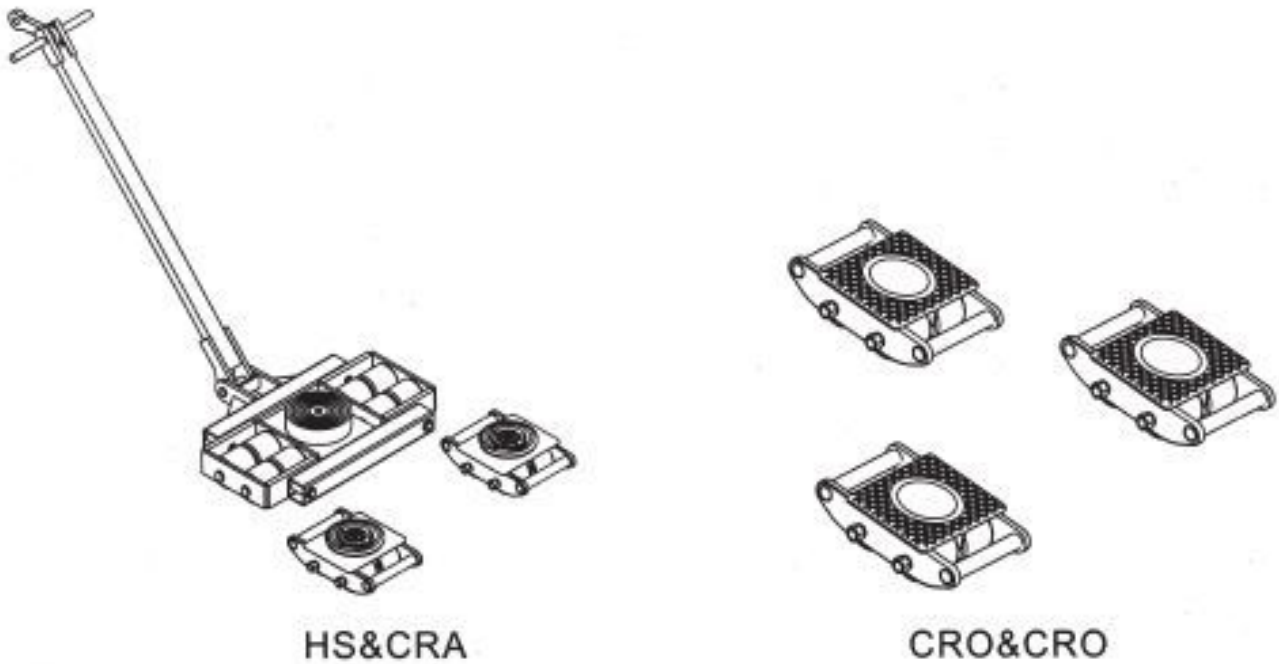


CRS-TYPE



HS-TYPE

When you use our product please read the operating guides using the following steps:-
Carefully choose the appropriate hi-tech skate according to the cargo being moved.



1. After lifting the cargo, place the skates in the appropriate place to support the load.
2. Gently lower the cargo onto the skate. Pull the draw bar or push the skate to move the load.
3. After the load has been repositioned, lift the cargo off the skates and move them out of the way before lowering the load back into place.

REMARKS

1. Ensure the load is always in uniform position on the bearing centre plate of the skates.
2. Always keep the surface on which the skate is placed, clean and smooth. **DO NOT USE ON UNEVEN SURFACES.**
3. Never exceed the maximum load of any skate.
4. Always use the correct equipment to load the skate such as toe jacks etc.
5. When loading the skate set make sure the load is distributed in such a way that each individual skate is not overlooked.
6. Make sure the load will not tip over from the skate.
7. Make sure the load is not unstable on the skate and avoid any risk of the load tipping over or falling from the skate.
8. When moving loads on a floor that has a slope make sure you have means of controlling the movement of the load once it starts moving.
9. Always ensure the floor is clean and free from any items that could damage the wheels of the skates.

AFTER REMARKS

Personal Protection

1. Always wear safety boots when moving heavy loads.
2. Do not put feet of hands under the load once it is placed on the skates.
3. When handling the skates only lift the skates by the handles on the 16, 36 tonne and larger sets to avoid any risk of trapped fingers.
4. When moving the load on the skate always ensure that there is no risk of any person becoming trapped by the moving load.

Maintenance

1. Inspect the skates on a regular basis and before each use to ensure they are in a safe to use condition.
2. Keep the wheels clean and remove any metal items that have become embedded in the wheels.
3. Lubricate the wheels to allow the skates to continue to move freely, making moving the load easier.

MAXIMUM CAPACITY OF SETS

8 tonne{X4+Y4} = 1 x 4 tonne steering skate with turntable {x4}
2 x 2 tonne steering skates {Y4}

16 tonne{X8+Y8} = 1 x 8 tonne steering skate with turntable {X8}
2 x 4 tonne trailing skates {Y8}

24 tonne {X12+Y12}= 1 x 12 tonne steering skate with turntable{X12}
2 x 6 tonne trailing skates{Y12}

32 tonne {X16+Y16}= 1 x 16 tonne steering skate with turntable{X16}
2 x 8 tonne trailing skates{Y16}

36 tonne{X18+Y18} = 1 x 18 tonne steering skate with turntable{X18}
2 x 9 tonne trailing skates{Y18}

48 tonne {X24+Y24}= 1 x 24 tonne steering skate with turntable{X24}
2 x 12 tonne trailing skates{Y24}

64 tonne{X32+Y32} = 1 x 32 tonne steering skate with turntable{X32}
2 x 16 tonne trailing skates{Y32}

Never exceed the maximum load of skate

Always use the correct equipment to load the skate such as toe jacks.

When loading the skate set make sure the load is distributed in such way that each individual skate is not overloaded.

Make sure the load will not tip over from the skate.

Make sure the load is not unstable on the skate and avoid any risk of the load tipping over or falling from the skate.

Never use machine skates on a floor of different levels.

When moving loads on a floor that has a slope make sure you have means of controlling the movement of the load once it starts moving.

Always insure the floor is clean and free from any items that could damage the wheels of the skates.

PERSONAL PROTECTION

Always wear safety boots when moving heavy loads.

Do not put feet or hands under the load once it is placed on the skates.

When handling the skates only lift the skates by the handles on the 16 and 36 tonne sets to avoid any risk of trapped fingers.

When moving the load on the skate always insure that there is no risk of any person becoming trapped by the moving load.

MAINTENANCE

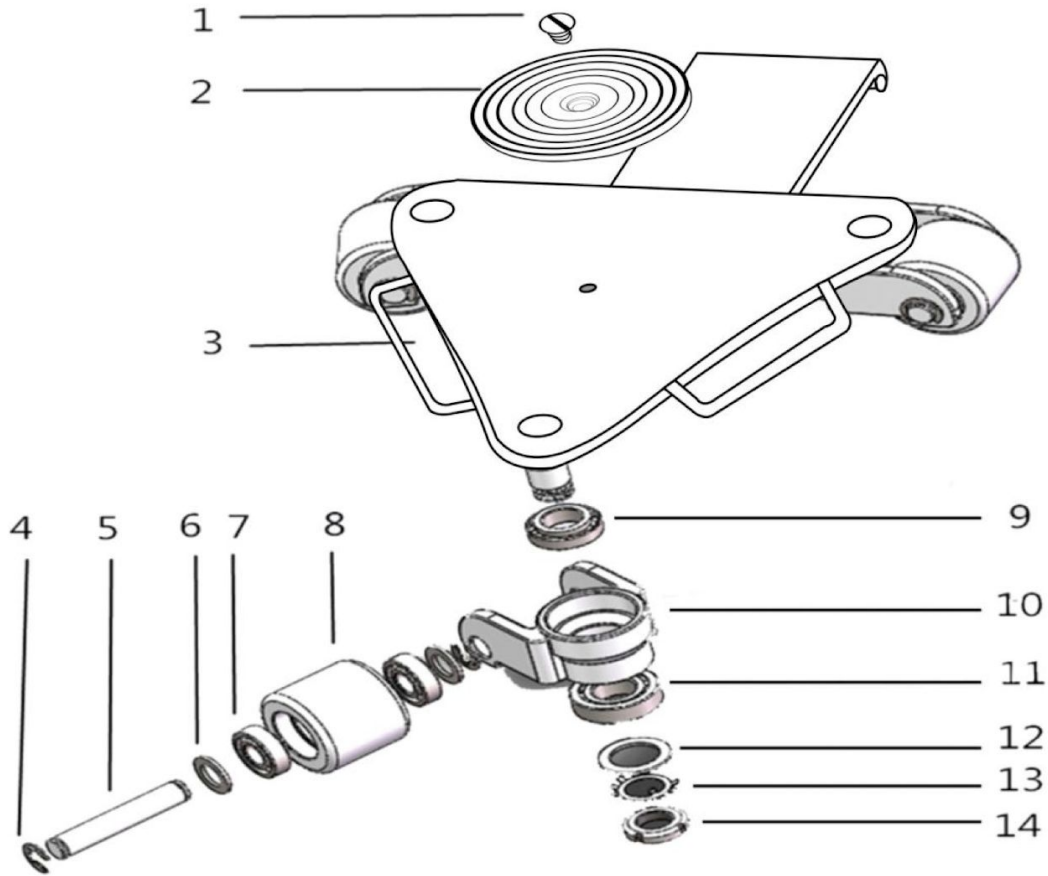
Inspect the skates on a regular basis and before use to insure they are in a safe to use condition.

Keep the wheels clean and remove any metal items that have become embedded in the wheels.

Lubricate the wheels to allow the skates to continue to move freely making moving the load easier.

PARTS BREAKDOWN

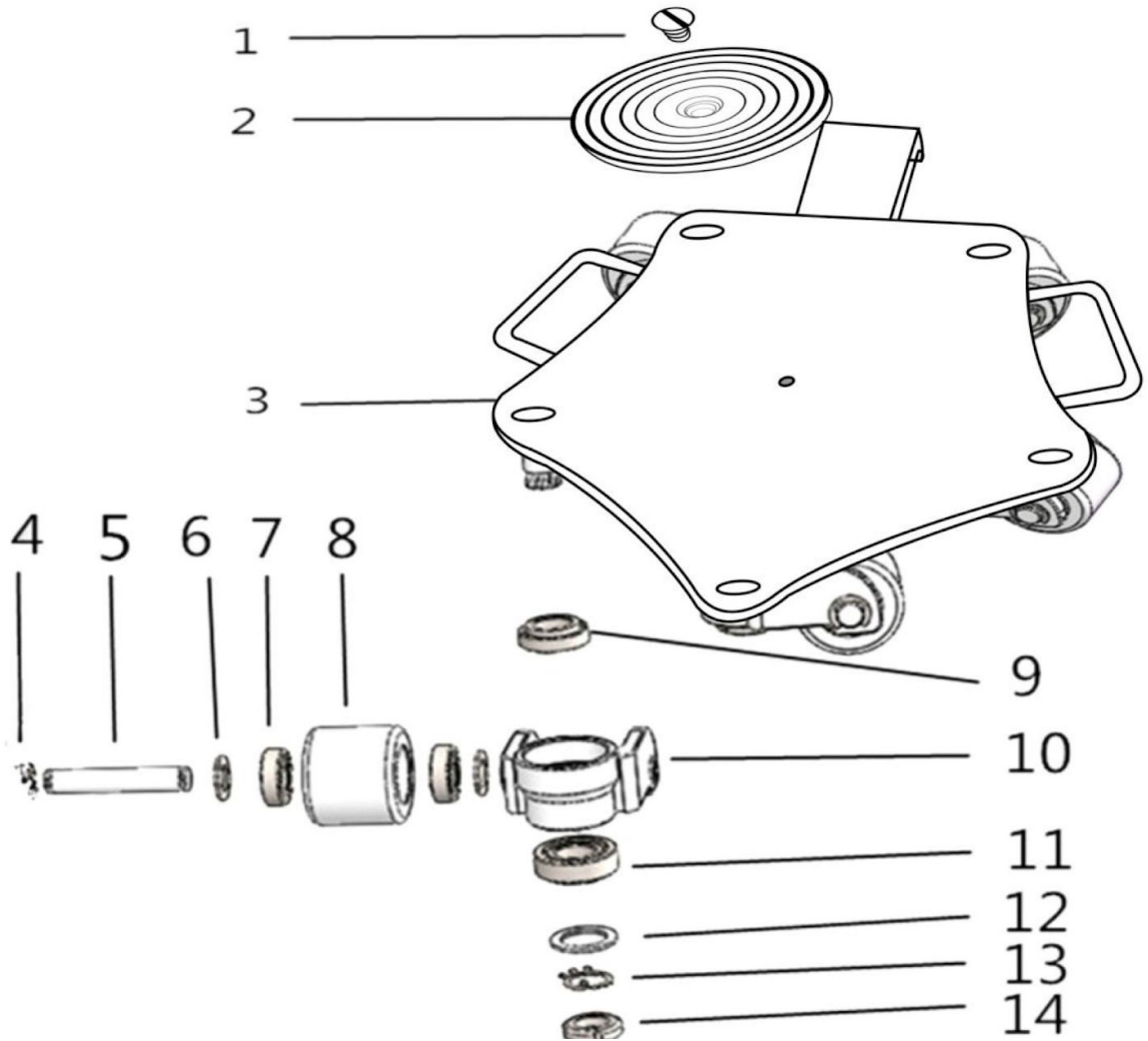
WCRP-3



No.	Description	Quantity
1	Turntable screw	1
2	The turntable	1
3	Frame	1
4	Open ring	6
5	Roller shaft	3
6	Flat Washers	6
7	Bearing 1	6
8	Roller	3
9	Bearing 2	3
10	Wheel frame	3
11	Bearing 3	3

12	Washer	3
13	Locking washers	3
14	Locking nuts	3

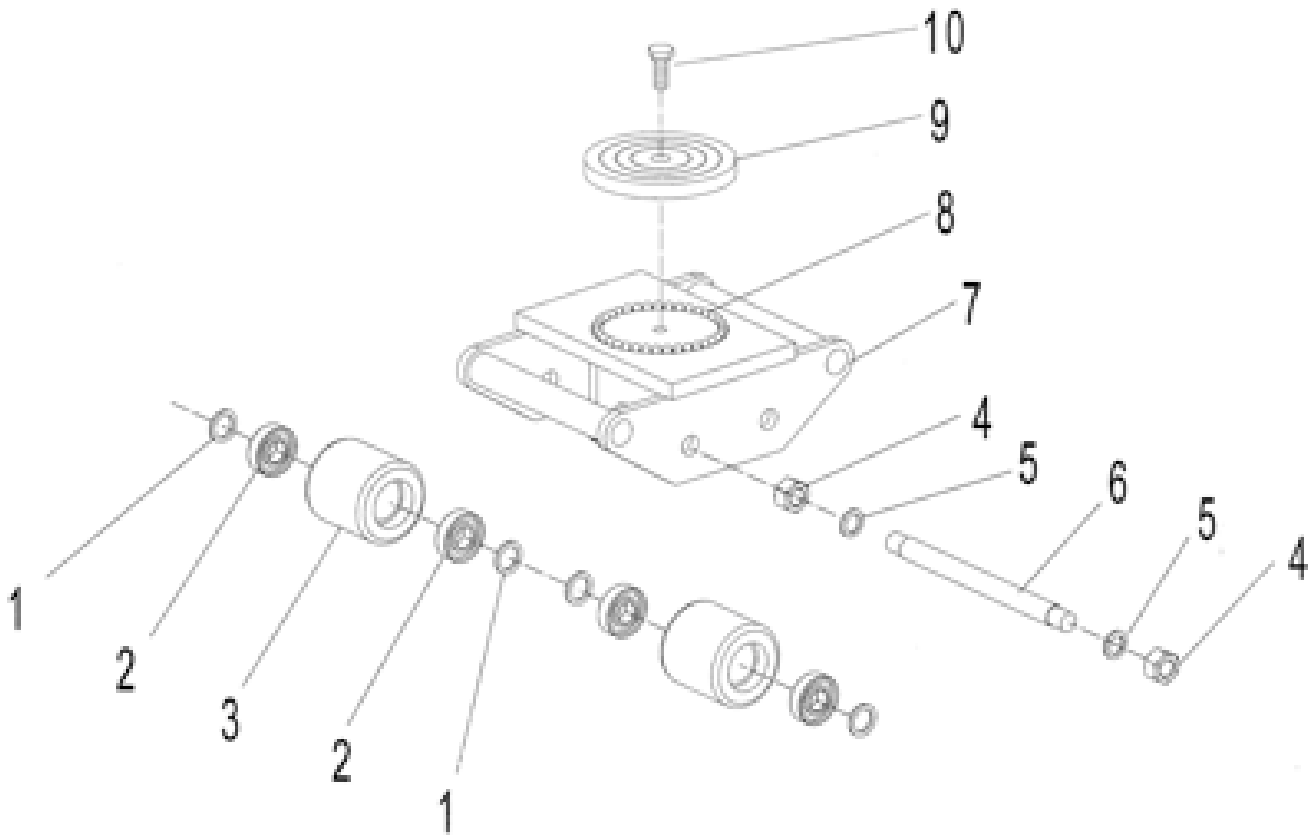
WCRP-5



No.	Description	Quantity
1	Turntable screw	1
2	The turntable	1
3	Frame	1
4	Open ring	6
5	Roller shaft	3
6	Flat Washers	6
7	Bearing 1	6
8	Roller	3
9	Bearing 2	3
10	Wheel frame	3
11	Bearing 3	3
12	Washer	3

13	Locking washers	3
14	Locking nuts	3

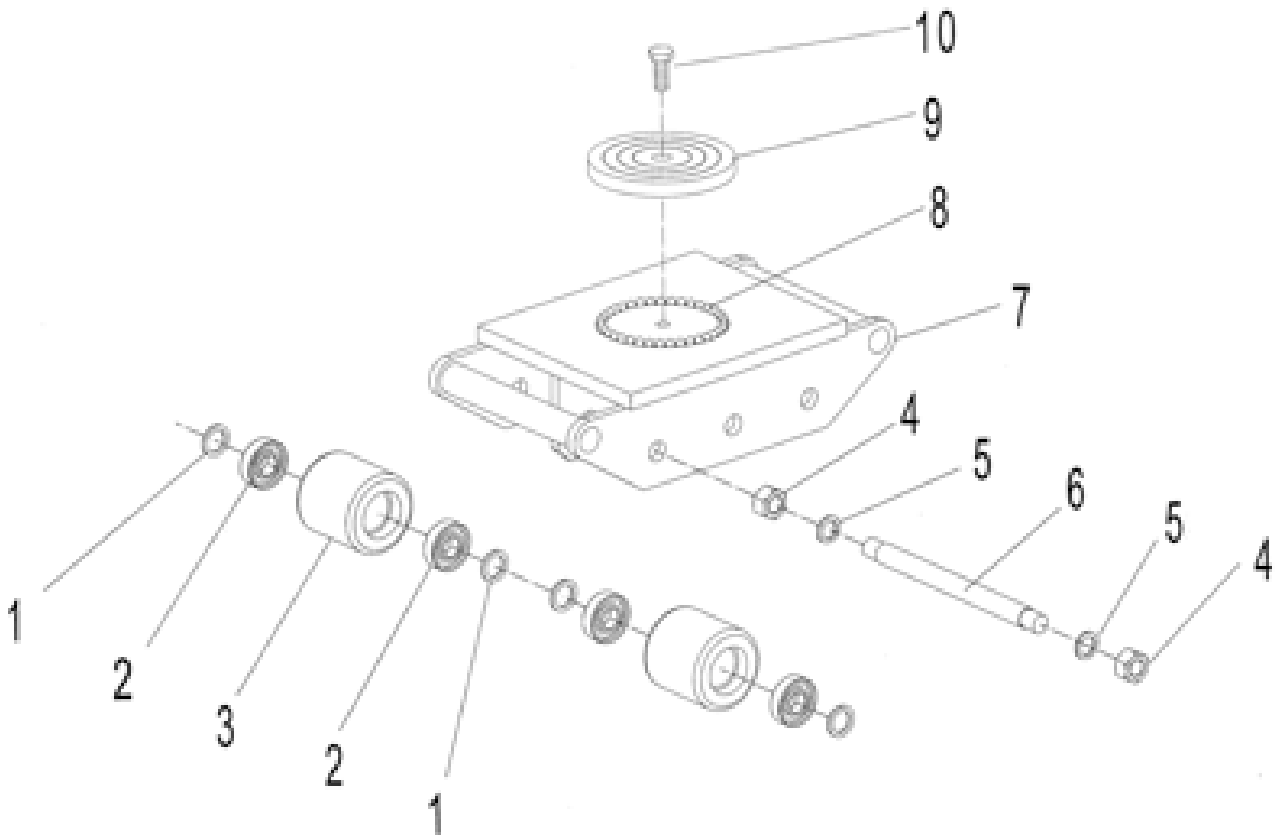
CRA-4



No.	Description	Quantity
1	Washer	8
2	Bearing	8
3	Wheel	4
4	Nut	4
5	Elastic Washer	4
6	Axle	2
7	Frame	1
8	Steel Ball	31
9	Turn Plate	1
10	Bolt	1
1	Washer	8
2	Bearing	8
3	Wheel	4

4	Nut	4
---	-----	---

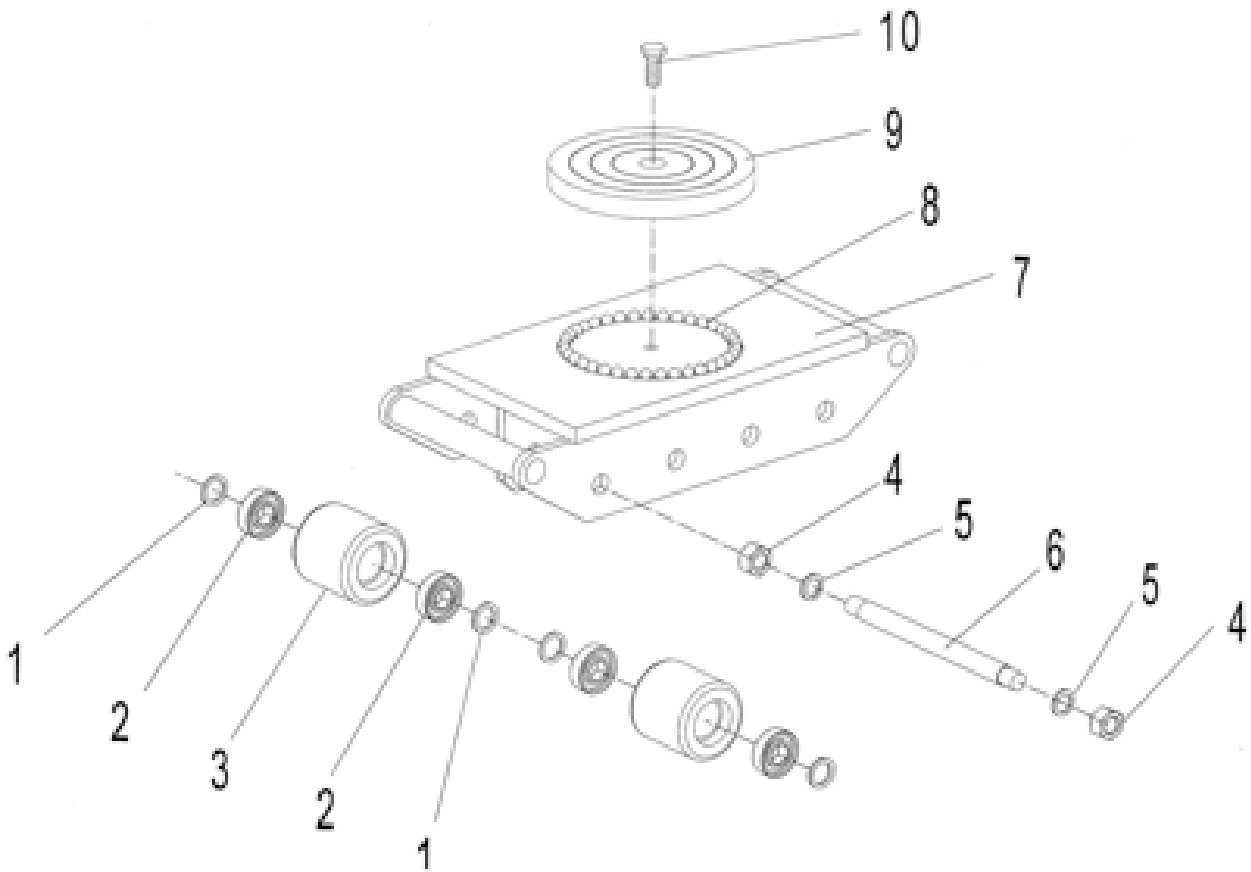
CRA-6



No.	Description	Quantity
1	Washer	12
2	Bearing	12
3	Wheel	6
4	Nut	6
5	Elastic Washer	6
6	Axle	3
7	Frame	1
8	Steel Ball	31
9	Turn Plate	1
10	Bolt	1
1	Washer	12
2	Bearing	12
3	Wheel	6

4	Nut	6
---	-----	---

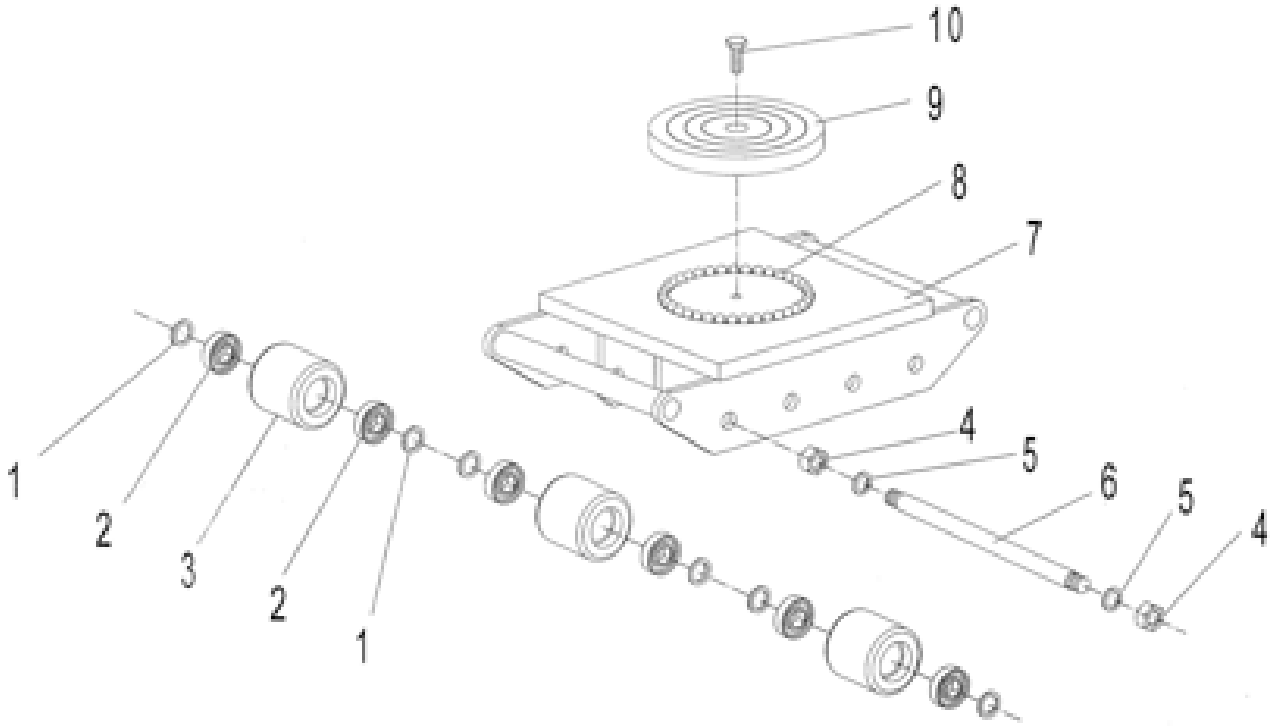
CRA-8



No.	Description	Quantity
1	Washer	16
2	Bearing	16
3	Wheel	8
4	Nut	8
5	Elastic Washer	8
6	Axle	4
7	Frame	1
8	Steel Ball	31
9	Turn Plate	1
10	Bolt	1
1	Washer	16
2	Bearing	16
3	Wheel	8

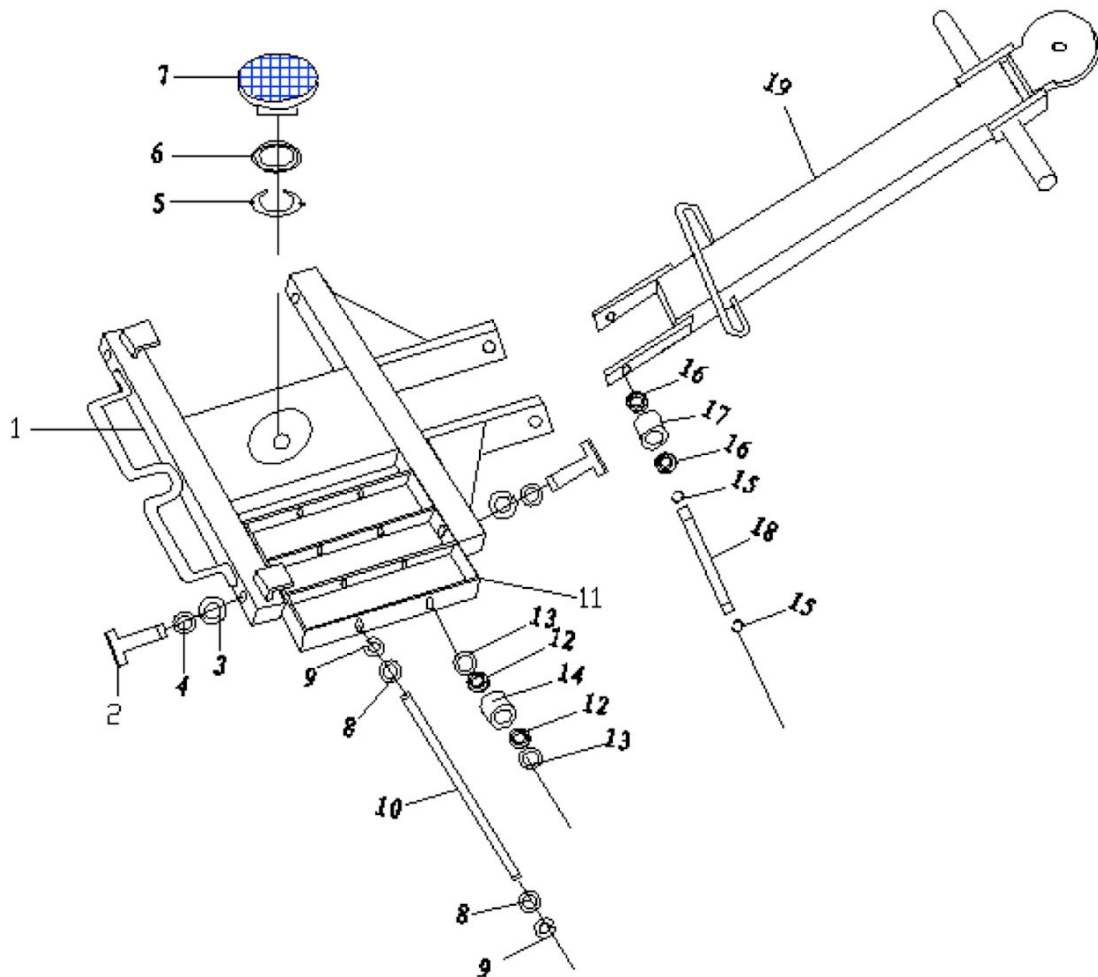
4	Nut	8
---	-----	---

CRA-12



No.	Description	Quantity
1	Washer	24
2	Bearing	24
3	Wheel	12
4	Nut	8
5	Elastic Washer	8
6	Axle	4
7	Frame	1
8	Steel Ball	31
9	Turn Plate	1
10	Bolt	1
1	Washer	24
2	Bearing	24
3	Wheel	12

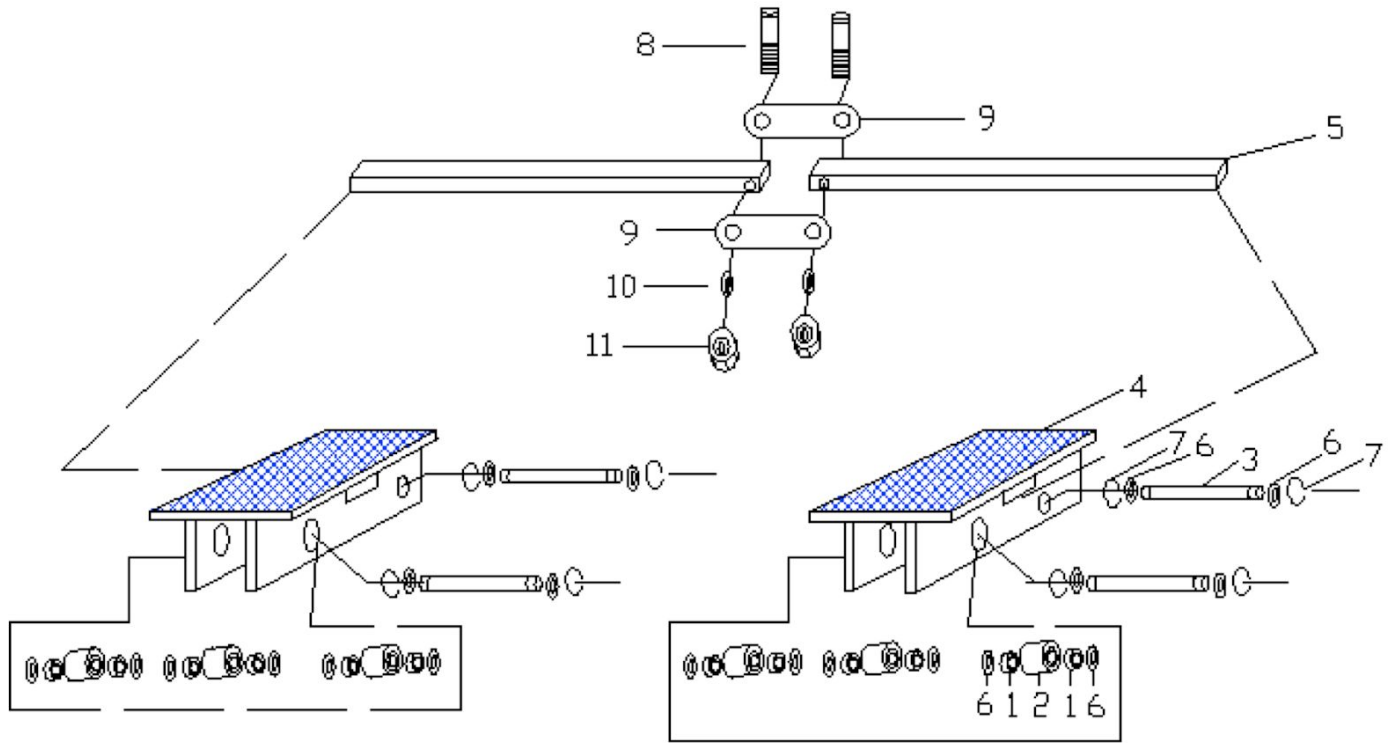
X12



No.	Description	Quantity
1	Frame	1
2	Shaft	4
3	Washer	4
4	Retaining Ring	4
5	Retaining Ring	1
6	Bearing	1
7	Crest Plank Arts	1
8	Washer	8
9	Retaining Ring	8
10	Axle	4
11	Frame of Roller	2
12	Bearing	24

13	Washer	24
14	Wheel	12

Y12



No.	Description	Quantity
1	Bearing	24
2	Wheel	12
3	Axle	4
4	Frame	2
5	Connect Rod	2
6	Washer	24
7	Retaining Ring	4
8	Bolt	2
9	Connect Plank	2
10	Elastic Washer	2
11	Nut	2
1	Bearing	24
2	Wheel	12
3	Axle	4

