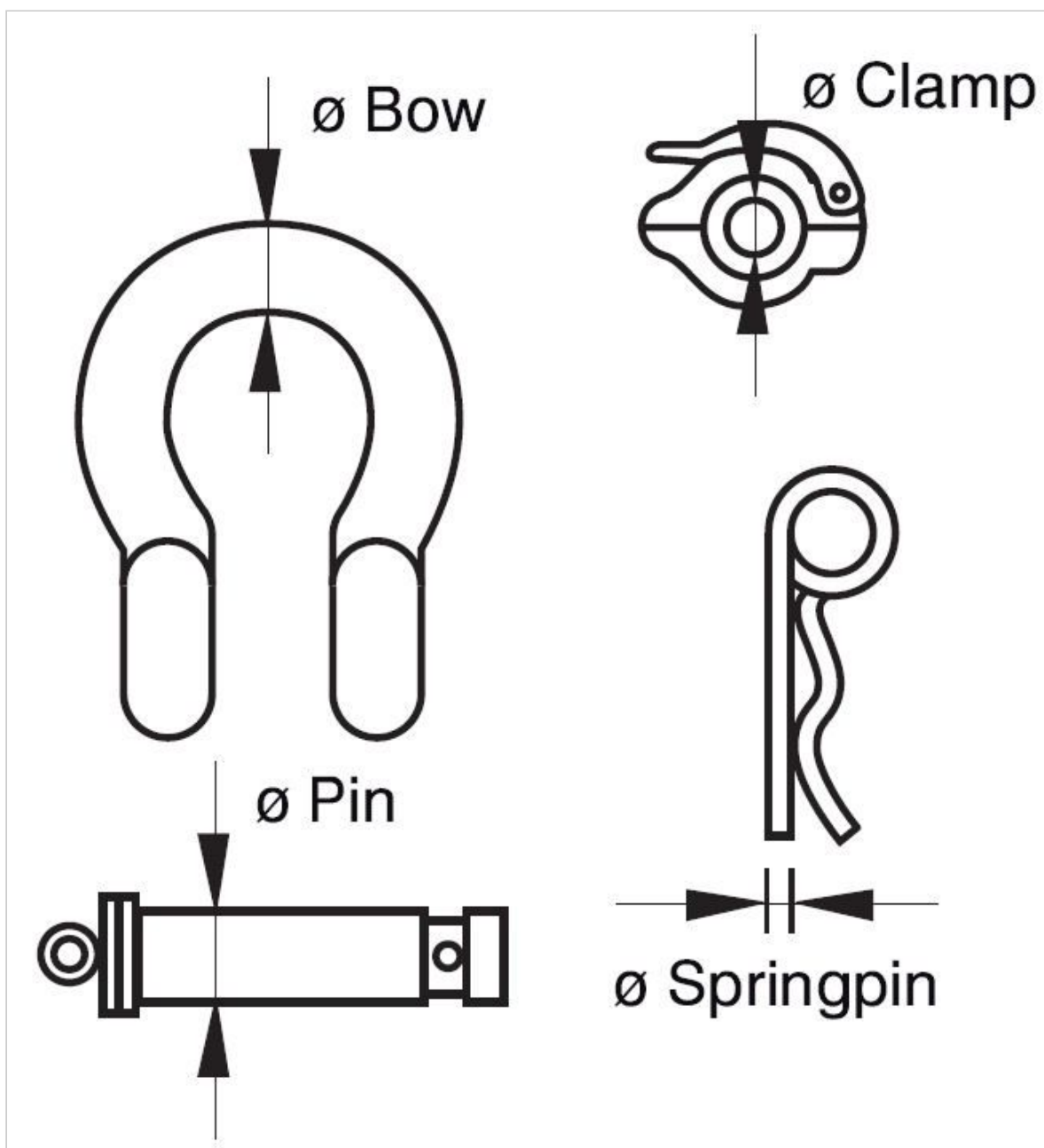


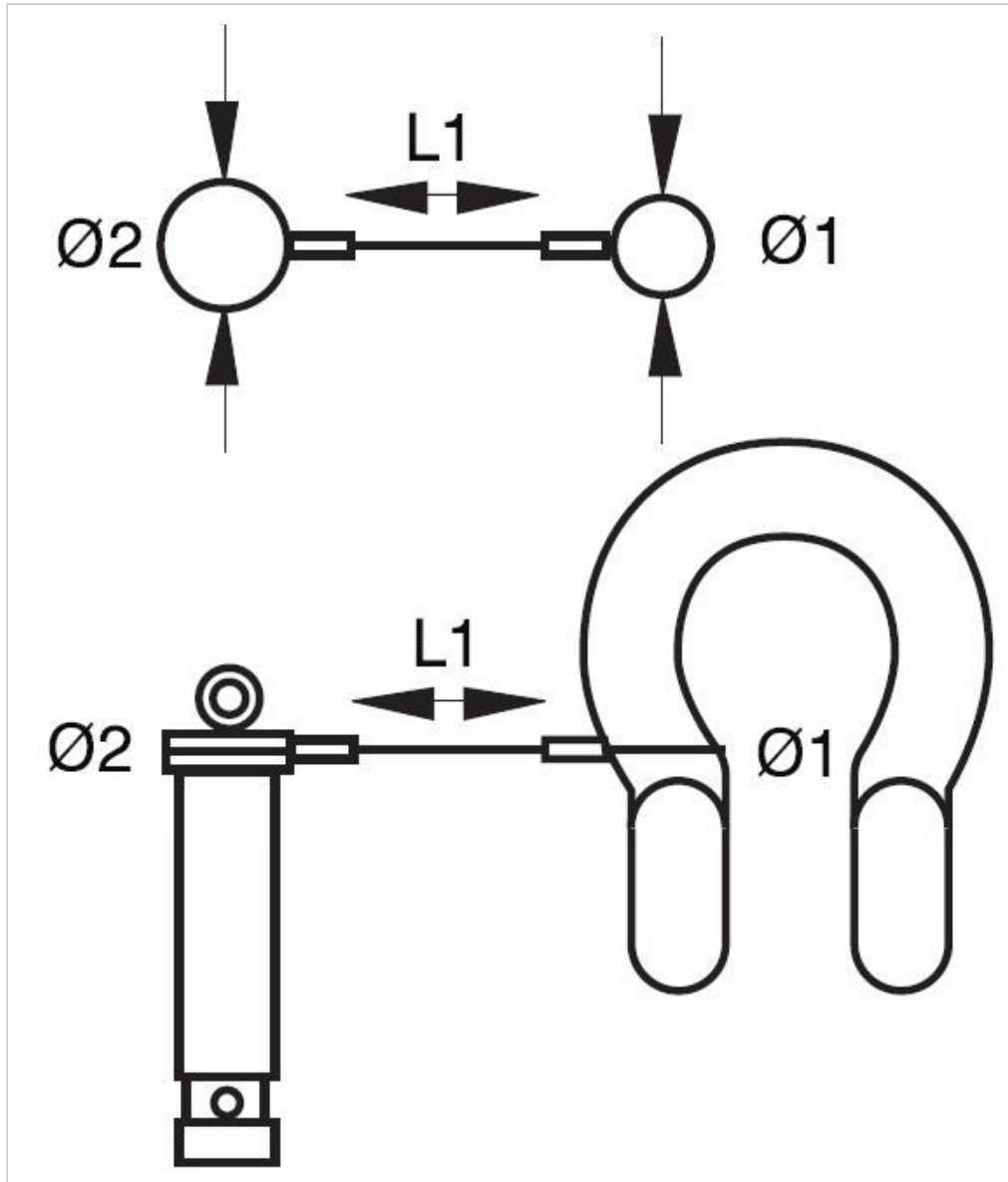
# GREEN PIN ROV RELEASE POLAR SHACKLES WITH LOCKING CLAMP



WLL tonnes	Bow $\varnothing$ mm	Pin $\varnothing$ mm	Clamp $\varnothing$ mm	Spring Pin $\varnothing$ mm
6.5	22	25	20	2
9.5	28	32	26	3
12	32	35	28	3
17	38	42	34	3
25	45	50	42	3
55	65	70	57	3
85	75	83	57	3

## Step 2

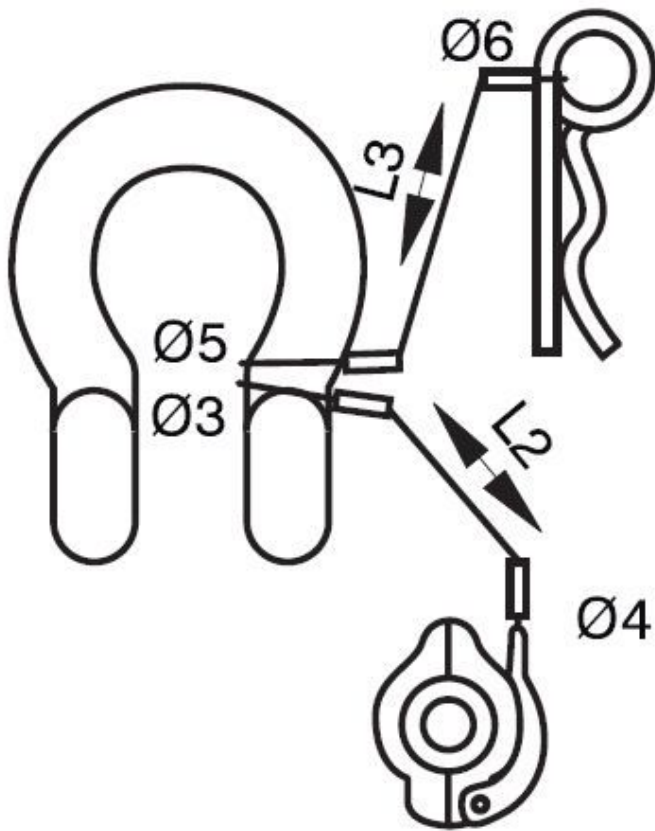
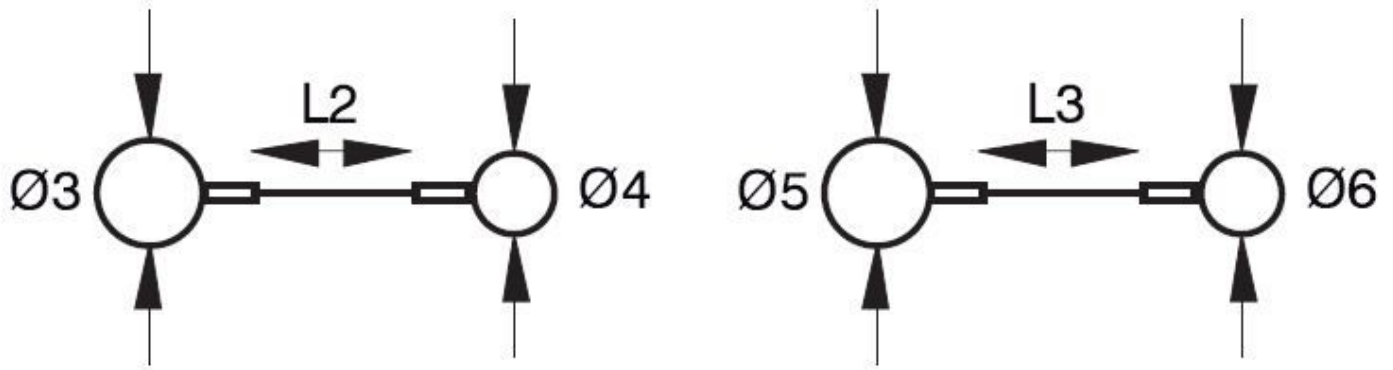
Note: Ropes and sleeves are not included.



WLL tonnes	Rope $\text{Ø}$ max mm	$L1$ min mm	$\text{Ø}1$ min mm	$\text{Ø}2$ min mm
6.5	5	140	22	23
9.5	5	170	28	33
12	7	190	32	34
17	7	210	38	44
25	9	250	45	55
55	9	340	65	70
85	9	380	75	80

## Step 3

Note :  $\text{Ø}2$  should not be too tight so pin can rotate freely.



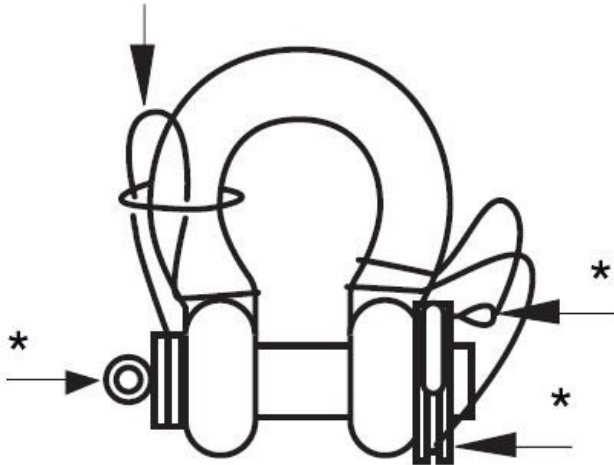
WLL shackle tonnes	Rope $\varnothing$ max mm	L2 min mm	$\varnothing 3$ min mm	$\varnothing 4$ min mm	L3 min mm	$\varnothing 5$ min mm	$\varnothing 6$ min mm
6.5	4	230	22	15	100	22	4
9.5	4	250	28	15	120	28	6
12	4	250	32	15	120	32	6
17	4	400	38	12	120	38	6
25	4	400	45	12	120	45	6
55	4	520	65	12	120	65	6
85	4	520	75	12	120	75	6

## Step 4

### Recommendations:

- Rope Material : wire rope or fibre rope.
- All lengths are indicative and depend on used diameter and material of rope.
- Colour sittings are different to distinguish release steps.
- Tape rope between shackle pin and shackle body to avoid snagging.

tape rope to body



\* attach fittings (wire rope loops or monkey's fists) for easy grabbing (3x)