

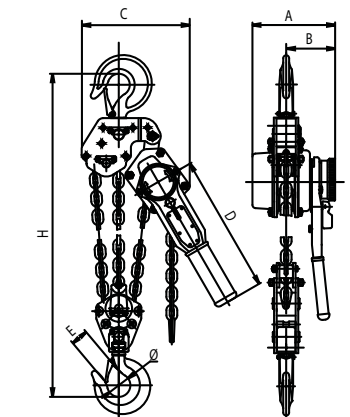
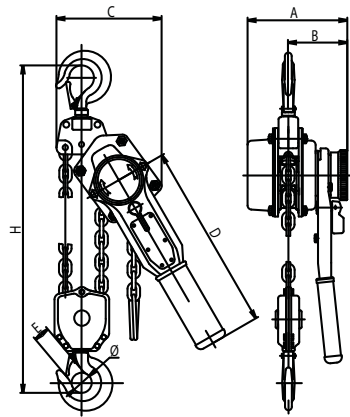
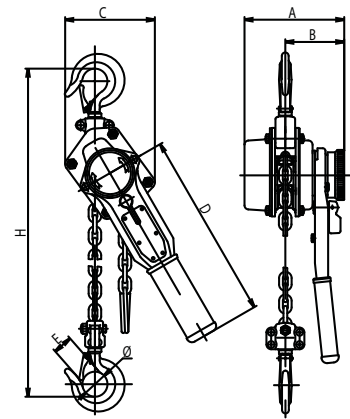
GT Lever Hoist c/w 1.5 Mtr Height of Lift

The GT Lever Hoist is lightweight, robust and ensures reliability in every position. It is the ideal tool for lifting tensioning and lashing.

- High grade steel body protects gears and brake system.
- Easy to use free wheel mechanism that enables chain to be pulled freely when not under load.
- The load chain is hardened grade 80 alloy steel and electro galvanised in finished.
- Short arm lever and special gear ratio allows an easy lift with minimum stress and maximum security.



code	capacity (kgs)	A (mm)	B (mm)	C (mm)	E (mm)	Ø (mm)	D (mm)	H min. (mm)	load chain dia. (mm)	weight (kgs)	no. of falls	effort req. to lift max load (N)
T0255	250	92	71	70	20	31	168	245	4	2.1	1	282
T0256	500	110	84	125	23	35	278	310	5	4.8	1	350
T0251	750	149	89	128	26	37	278	310	5.6	6.2	1	250
T0252	1500	171	102	145	36	45	378	385	7	9.5	1	310
T0253	3000	204	114	203	44	55	418	460	10	20.2	1	380
T0254	6000	204	114	243	50	65	418	600	10	32	2	390
T0257	9000	204	114	338	53	67	418	770	10	51	3	390



NEVER EXCEED MAXIMUM CAPACITY

Ensure operator follows safe use instruction guidelines



George Taylor & Company Lifting Gear (Midlands) Ltd. Brickyard Road, Aldridge, West Midlands WS9 8SR

Telephone: 01922 457916 or visit: www.gtlifting.co.uk

ALL OFFERS ARE SUBJECT TO OUR CONDITIONS OF BUSINESS