

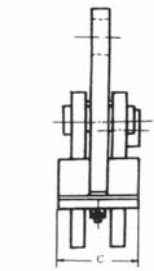
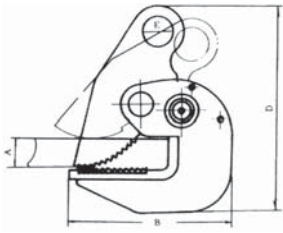


GT 'Euro' Horizontal Lifting Clamps

The 'Euro' Horizontal Lifting Clamps, used in pairs, are ideal for moving steel plate or machinery in a horizontal position.

• **New product info to follow.**

- Specially hardened steel is used in both the serrated teeth and jaws.
- Simple to use with two leg slings at a maximum angle of 90 degrees.
- The Euro Clamp is designed to lift one plate at a time.
- The steel plate lifted should be under HRC 37 (HB 345).
- Always ensure the operator has access to operating instructions.



code	capacity per pair (kgs)	jaw opening (mm)	A max (mm)	B (mm)	C (mm)	D max (mm)	E (mm)	weight each (kgs)
T2261	1500	0 - 25	25	125	50	175	25	4
T2262	2000	0 - 30	30	156	65	200	30	6
T2263	3000	0 - 30	30	157	65	204	30	7
T2264	4000	0 - 35	35	201	83	245	35	9
T2265	5000	0 - 45	45	231	90	310	40	14
T2266	10000	0 - 50	50	185	74	260	30	9

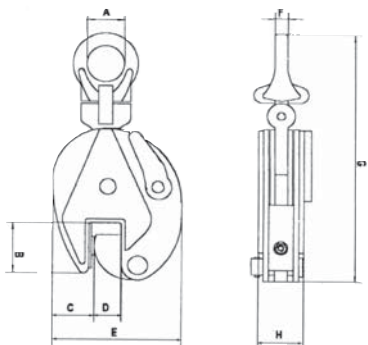


GT 'Euro' Vertical Lifting Clamp

The 'Euro' Vertical Lifting Clamp was introduced by George Taylor as a highly efficient auxiliary lifting product.

• **New product info to follow.**

- Specially hardened jaws for extra durability.
- Lifting under 20% of the rated capacity loading is strictly forbidden.
- Overloading is not permitted.
- The Steel plate lifted should be under the HRC 37 (HB 345).
- The Euro Clamp is designed to lift one plate at a time
- Always ensure the operator has access to operating instructions.



code	capacity per pair (kgs)	jaw opening plate thickness (mm)	A (mm)	B (mm)	C (mm)	D (mm)	E (mm)	F (mm)	G (mm)	H (mm)	capacity (kgs)
T2251	500	0 - 15	30	43	34.5	15	103	10	212	36	2.0
T2252	1000	0 - 20	48	63	51	20	138	12	294	50	4.8
T2253	2000	0 - 25	68	76	59	25	164	16	370	52	6.5
T2254	3000	0 - 30	74	85	56	30	193	20	418	78	15
T2255	5000	0 - 30	-	-	-	-	-	-	-	-	12

NEVER LIFT UNDER 20% OF THE RATED CAPACITY AND NEVER EXCEED MAXIMUM CAPACITY



George Taylor & Company Lifting Gear (Midlands) Ltd. Brickyard Road, Aldridge, West Midlands WS9 8SR

Telephone: 01922 457916 or visit: www.gtlifting.co.uk

ALL OFFERS ARE SUBJECT TO OUR CONDITIONS OF BUSINESS